

OMNIO5 Data Sheet

OMNIO5

Omnidirectional 2-way
Installation System



The OMNIO5 is a passive omnidirectional 2-way 5"/1" coaxial loudspeaker system designed without compromise to provide coherent 360° wave front without hot spots in an ultra compact package.

The advanced waveguide design aligns the acoustical centres of the transducers to produce a true 360° uniform coverage with perfect time alignment between the components.

At the heart of the OMNIO5 is the newly developed 5"/1" coaxial driver. The 5" cone driver covers the 75 – 1300 Hz range with high efficiency and smooth, linear

response. Three aluminium shorting rings reduce intermodulation distortion; minimise induction variation while reducing thermal compression.

The coaxially mounted high frequency driver contains an ultra light 1" annular diaphragm providing exceptional transient response with very high efficiency from 1 kHz to 20 kHz.

This new transducer was engineered to radiate a single source, coherent wave front for superior dispersion control and high fidelity sound.

The aluminium enclosure is optimised for outdoor use and is painted using a two-part, paint/sealant process, first applying the colour application to the cabinet, followed by a clear, protective second coat sealant. All RAL colours on request. The overall height of the cabinet can be modified to fit specific mounting requirements. An optional 100 V / 70 V version on request.

OMNIO5 has been designed to work exclusively with CODA Audio LINUS Loudspeaker Management Amplifiers as an integrated solution for DSP, amplification, network remote control, optimal performance, protection, as well as extensive possibilities for system tuning and monitoring.

OMNIO5 Features

- ⊕ Ultra compact 2-way Omnidirectional system
- ⊕ Single point of source providing true 360° horizontal dispersion
- ⊕ Frequency range: 75 Hz – 21 kHz (-6 dB)
- ⊕ Power handling 150 W (AES)
- ⊕ 5" ultra low distortion driver with triple demodulation rings
- ⊕ Coaxially mounted 1" annular diaphragm superb quality HF driver
- ⊕ Solid aluminium enclosure (all RAL colours)
- ⊕ Optimised for outdoor use (MG1 by default)
- ⊕ System integration with LINUS Loudspeaker Management Amplifiers



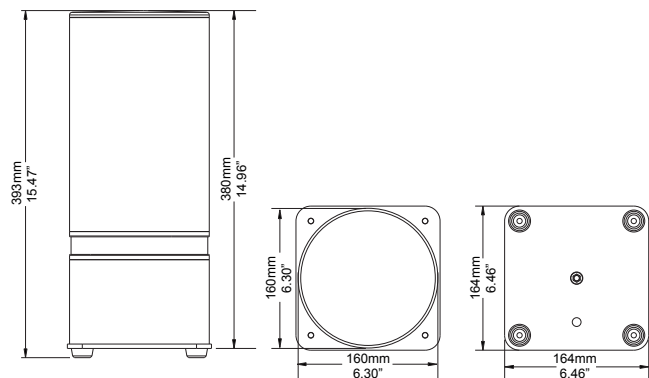
OMNIO5 Data Sheet



Product type:	Omnidirectional 2-way installation system
Frequency response:	75 Hz – 21 kHz (-6 dB)
Power handling AES / peak (passive):	150 W / 600 W
Program power:	300 W
Sensitivity:	92 dB
Max. SPL peak:*	118 dB
Dispersion horizontal:	360°
Dispersion vertical:	120° (60° in half space)
Components Low frequency:	5" woofer, 1.5" (38 mm) VC, 150 W (AES)
Components Mid/High frequency:	1" coaxially mounted driver, 1" (25.4 mm) VC, 30 W (AES)
Crossover point:	1140 Hz passive
Input connectors:	3 m sealed cable
Nominal impedance LF / MF+HF:	16 Ω (1+/1-)
Enclosure material:	Solid aluminium
Finish:	Two part paint base/clear, RAL 7021 (all RAL colours available on request)
Suspension:	4x feet and 1x fixing point (base plate)
IP rating (IEC 60529):	Standard IP56
Weatherproof options:	MG1 (Marine Grade 1): IP55 by default (direct cable)
Dimensions (WxHxD):	164 x 393 x 164 mm / 6.46 x 15.47 x 6.46", (incl. hardware) Diameter: 160 mm / 6.3"
Net weight:	8 kg / 17.64 lbs

*Measured with pink noise 6 dB crest factor. Half-space loading.

** In low SPL applications up to 8x OMNIO5 per channel can be connected.



Other Related Products



LINUS12C

4-Channel DSP Amplifier with
Loudspeaker Management

CODA AUDIO GmbH

Boulevard der EU 6, 30539 Hannover, Expo Park, Germany
E-Mail: contact@codaaudio.com Website: www.codaaudio.com

CODA
CODA AUDIO

